

ROBUS®

OUTDOOR

CLUBFINCH GU10 SPIKE LIGHT

1x50W Max, IP54, IP65



PRODUCT INFORMATION DOCUMENT

FEATURES

- Available in standard and anti-glare versions
- Suitable to use with halogen GU10 lamps up to 50W or selected LED up to 7W
- Lumen output, beam angle, CCT and other parameters depending on lamps used
- Fully polycarbonate housing for high corrosion resistance
- Head adjustable angle of 180°
- Prewired with 1m of rubber flex
- Suitable for switching by PIR, Microwave or Photocell sensors

CONSTRUCTION

- Polycarbonate housing and diffuser
- Ceramic GU10 lamp holders
- Stainless steel screws



WARRANTY



LIFETIME



LUMENS PER W



IK RATING



IP RATING



IP RATING



OPERATING VOLTAGE



BEAM ANGLE



DIMMING

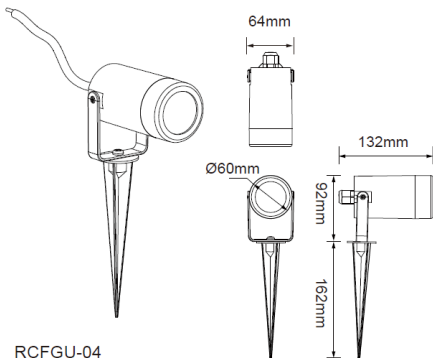


CCT

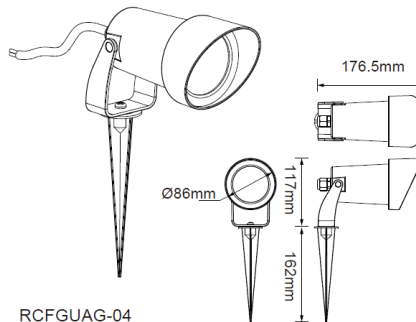


SAFETY CLASS

Product Code:	RCFGU-04	RCFGUAG-04
Comparable to:	NA	NA
Total Power (W):	50W Max	50W Max
Power Factor:	NA	NA
Total Light Output (lm):	NA	NA
Efficacy (lm/cctW):	NA	NA
Lux at 1m (lux):	NA	NA
CCT (K):	NA	NA
CRI:	NA	NA
IP:	54	65
Operation Temperature (°C):	-20 ≤ Ta ≤ +45	-20 ≤ Ta ≤ +45
Energy Class:	NA	NA
Rated Life to L70B50 (Hrs):	NA	NA
Dimensions LxWxH (mm):	132x64x254	176x86x279
Weight (kg):	0.19	0.23



RCFGU-04



RCFGUAG-04

Product is certified to all the relevant standards.

Please contact our technical department for market specific compliances.

PLEASE NOTE: INFORMATION IN THIS DOCUMENT MAY BE SUBJECT TO CHANGE WITHOUT PRIOR NOTICE

IRE: TEL: +353 1 709 9000
 UK: TEL: 0800 973 220
 AUS: TEL: +61 7 3890 5444
 NZ: TEL: +64 03 668 5285

WEB: ROBUS.COM
 WEB: ROBUS.COM
 WEB: ROBUS.COM.AU
 WEB: ROBUSLED.CO.NZ

LED GROUP EUROPE · UK · AUSTRALIA · NEW ZEALAND · ASIA · MIDDLE EAST · AFRICA