

ROBUS®

OUTDOOR

KINGLET STAINLESS STEEL LED IN-GROUND SPOT LIGHT

0.6W, 3W, 7.5W, IP67, IP68



RKG0330SS-13

RKG0130SS-13

RKG0730SS-13

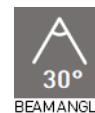
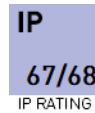
PRODUCT INFORMATION DOCUMENT

FEATURES

- 316 marine grade stainless steel housing with very high resistance to corrosion
- Equipped with high quality Phillips or CREE LEDs ensuring luminaire's reliability and high output
- Complete with die-cast aluminium concrete mounting sleeve
- Suitable for walk-over applications
- Suitable for switching by PIR, Microwave or Photocell sensors
- Requires 12V or 24V DC power supply (not supplied)

CONSTRUCTION

- Stainless steel housing and polycarbonate diffuser
- Prewired with 3m rubber flex



Product Code:	RKG0130SS-13	RKG0330SS-13	RKG0730SS-13
Comparable to:	NA	NA	NA
Total Power (W):	0.5	2.9	7.5
Supply Voltage (V _{DC}):	12	24	24
Total Light Output (lm):	20	230	380
Total Emergency Light Output (lm):	NA	NA	NA
Efficacy (lm/cctW):	40	79	131
Beam Angle (deg):	100	30	30
Lux at 1m (lux):	10	650	5240
Emergency Lux at 1m (lux):	NA	NA	NA
CCT (K):	3000	3000	3000
CRI:	80	80	80
IP:	68	68	67
IK:	07	08	08
Operation Temperature (°C):	-20 ≤ Ta ≤ +45	-20 ≤ Ta ≤ +45	-20 ≤ Ta ≤ +45
Inrush Current:	NA	NA	NA
RG Value:	0	0	0
SDCM:	6	6	6
Energy Class:	D	E	D
Rated Life to L70B50 (Hrs):	30000	30000	30000
Dimensions ØxH (mm):	36x37	60x45	90x75
Weight (kg):	0.58	0.8	1.1

Product is certified to all the relevant standards.

Please contact our technical department for market specific compliances.

PLEASE NOTE: INFORMATION IN THIS DOCUMENT MAY BE SUBJECT TO CHANGE WITHOUT PRIOR NOTICE

IRE: TEL: +353 1 709 9000
 UK: TEL: 0800 973 220
 AUS: TEL: +61 7 3890 5444
 NZ: TEL: +64 03 668 5285

WEB: ROBUS.COM
 WEB: ROBUS.COM
 WEB: ROBUS.COM.AU
 WEB: ROBUSLED.CO.NZ

LED GROUP EUROPE · UK · AUSTRALIA · NEW ZEALAND · ASIA · MIDDLE EAST · AFRICA

KINGLET STAINLESS STEEL LED IN-GROUND SPOT LIGHT

0.6W, 3W, 7.5W, IP67, IP68

Cone Illuminance Diagram

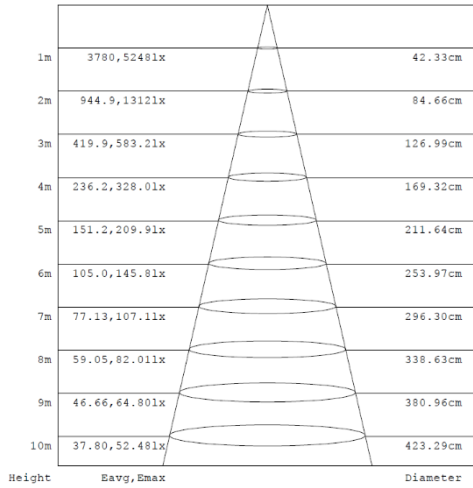


Diagram for RKG0730SS-13 in 3000K Other diagrams available on request

Polar Intensity Diagram

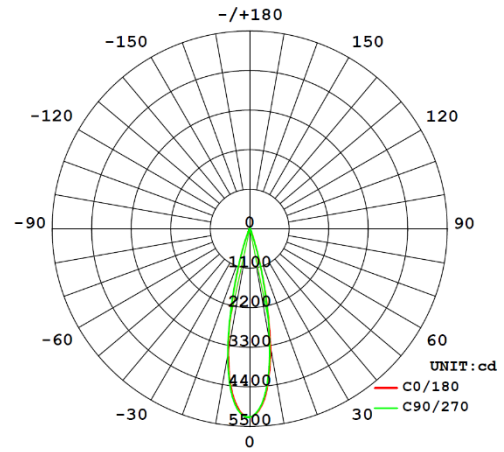
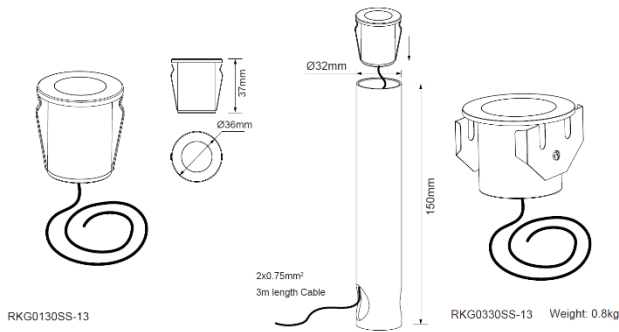


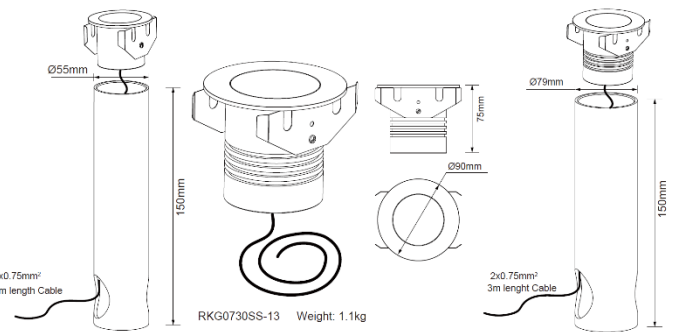
Diagram for RKG0730SS-13 in 3000K Other diagrams available on request

Dimension Diagram



Accessories

NA



Sensor Data

Time Off Delay:	NA
Illuminance Switching Range:	NA
Sensitivity Range (%):	NA
Mounting Height (max):	NA
Detection Zone Diameter (max):	NA

PLEASE NOTE: INFORMATION IN THIS DOCUMENT MAY BE SUBJECT TO CHANGE WITHOUT PRIOR NOTICE