

ROBUS®

FLEXI-STRIPS

VEGAS DUAL VOLTAGE DRIVER

20W, 40W, 60W, IP20



PRODUCT INFORMATION DOCUMENT

CONSTRUCTION

- Polycarbonate housing
- FR-4 composite PCB

FEATURES

- Unique and innovative design allows switching between 12V or 24V DC output
- Suitable to use with both Vegas and Vegas COB strip ranges
- IP20 for indoor applications only
- Non dimmable



WARRANTY



IP RATING



OPERATING VOLTAGE



OPERATING VOLTAGE

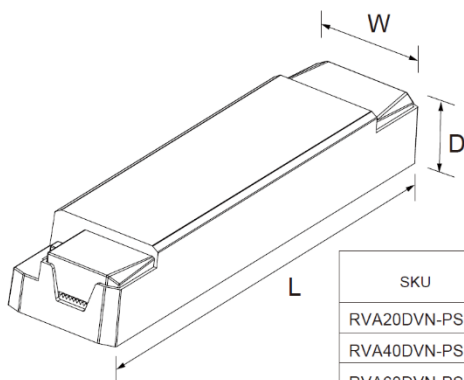


SAFETY CLASS



NON DIMMABLE DIMMING

Product Code:	RVA20DVN-PSU	RVA40DVN-PSU	RVA60DVN-PSU
Total Power (W):	20	40	60
Power Factor:	0.9	0.9	0.9
IP:	20	20	20
Operation Temperature (°C):	-20 ≤ Ta ≤ +40	-20 ≤ Ta ≤ +40	-20 ≤ Ta ≤ +40
Inrush Current:	6A/10us	6A/10us	6A/10us
Dimensions LxWxH (mm):	140x47x26	197x47x30.5	197x47x30.5
Weight (kg):	0.178	0.266	0.284



SKU	L	W	D
RVA20DVN-PSU	140mm	47mm	26mm
RVA40DVN-PSU	197mm	47mm	30.5mm
RVA60DVN-PSU	197mm	47mm	30.5mm

Product is certified to all the relevant standards.

Please contact our technical department for market specific compliances.

PLEASE NOTE: INFORMATION IN THIS DOCUMENT MAY BE SUBJECT TO CHANGE WITHOUT PRIOR NOTICE

IRE: TEL: +353 1 709 9000
 UK: TEL: 0800 973 220
 AUS: TEL: +61 7 3890 5444
 NZ: TEL: +64 03 668 5285

WEB: ROBUS.COM
 WEB: ROBUS.COM
 WEB: ROBUS.COM.AU
 WEB: ROBUSLED.CO.NZ

LED GROUP EUROPE · UK · AUSTRALIA · NEW ZEALAND · ASIA · MIDDLE EAST · AFRICA